

## CPS200 Complete Kit

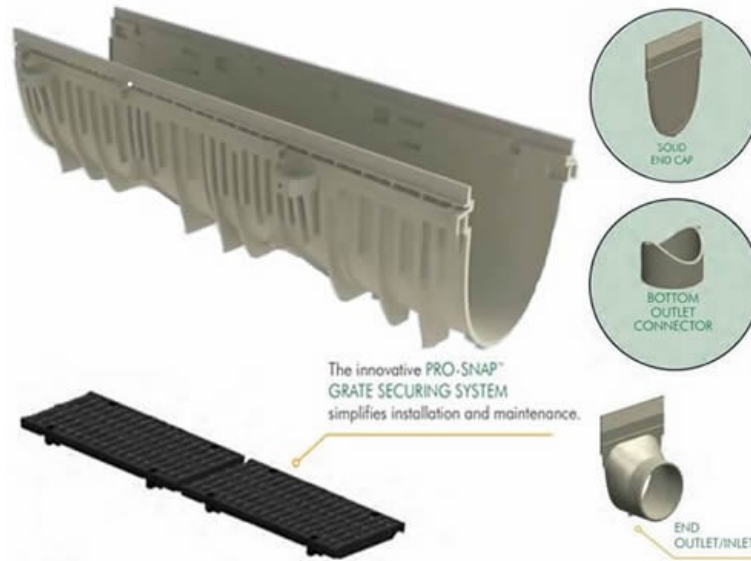
Series

**CPS200**

Cover Sheet

Pro Plus 200

### 8" Wide Glass Fiber Polyester Trench Drain Kit 10 - 99 Foot Complete



### New Commercial Trench Drain / Driveway Drain 8 Inch Wide - A Class Galvanized Grate Standard

#### Complete system - Each Kit Includes:

- Specified number of 1 meter sections of trench drain
- Specified number of galvanized slotted grates with "Starfix" Locks
- 1 - Bottom outlet connector
- 2 - Solid End Caps
- 1 - 6" End Outlet


#### Key advantages of the innovative Channel Material SMC/GRP:

- Shatterproof and extremely resistant to abrasion
- Frost, heat and rust resistant
- Lightweight
- Non-porous structure with a smooth surface
- Resistant to chemicals - Resistant to oil, gasoline, hot asphalt and tartaric acid
- Non-flammable - Free of halogens, asbestos and toxic heavy metals
- An excellent cost / performance material - Recyclable

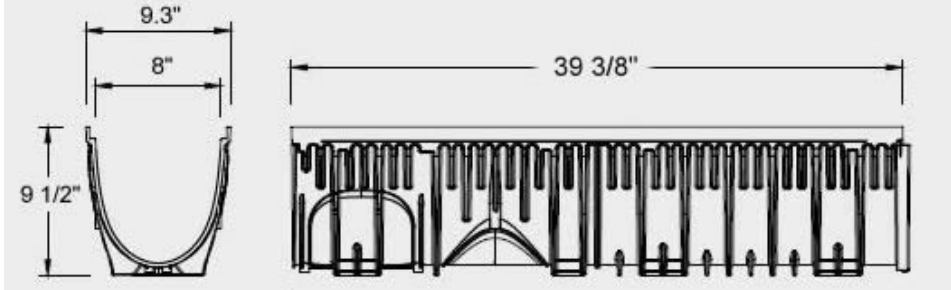
**JOSAM**  
**PRO-PLUS**  
Trench Drain System


<b>Number</b>  <b>200C Channel</b>	<b>Series</b>  <b>CPS200</b> Trench Drain Channel Pro Plus 200
--	--

200C Flat Channel ( Standard )

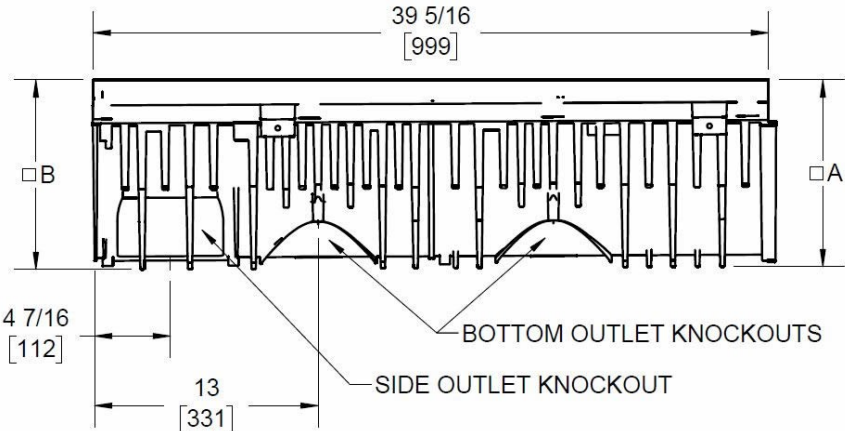


**200C Flat**



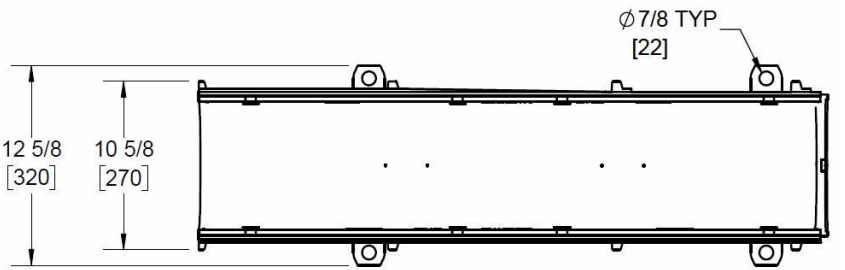



**200C Presloped**



PART NUMBER	DIM. "A"	DIM. "B"	WEIGHT (LBS)
200C	9.5	9.5	13.2
200C01	10.8	11.0	17.1
200C02	11.0	11.2	17.4
200C03	11.2	11.4	17.7
200C04	11.4	11.6	18.0
200C05	11.6	11.8	18.2
200C05N	11.8	11.8	18.3
200C06	11.8	12.0	18.4
200C07	12.0	12.2	18.8
200C08	12.2	12.4	19.0
200C09	12.4	12.6	19.2
200C10	12.6	12.8	19.4
200C11	12.8	13.0	21.8
200C12	13.0	13.2	22.1
200C13	13.2	13.4	22.4
200C14	13.4	13.6	22.7
200C15	13.6	13.8	22.9
200C15N	13.8	13.8	23.0
200C16	13.8	14.0	23.3
200C17	14.0	14.2	23.5
200C18	14.2	14.4	23.7
200C19	14.4	14.6	23.9
200C20	14.6	14.8	24.1

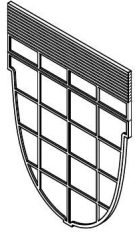
200C Presloped Channel ( Preslope Upgrade )



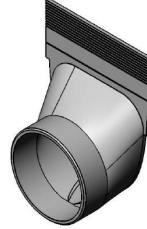
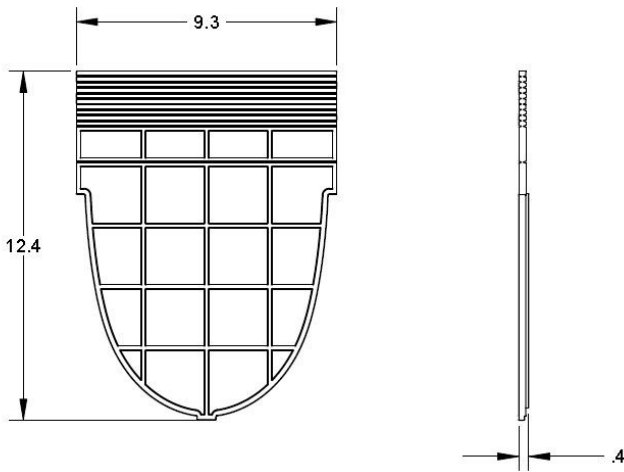
<p><b>Manufacturer</b></p> 	<p><b>Specification</b></p> <p>JOSAM 200 SERIES SMC-GRP MATERIAL, 8" WIDTH DRAINAGE CHANNEL. FLAT - NEUTRAL (STANDARD) OR WITH PRESLOPE (UPGRADE), SUPPLIED BY TRENCH DRAIN SUPPLY.</p>
--	---

DISCLAIMER - The customer and the customer's architects, engineers, consultants, and other professionals are completely responsible for the selection installation and maintenance of any product purchased from Trench Drain Supply and/or its manufacturers. TRENCH DRAIN SUPPLY MAKES NO WARRANTY, EXPRESS OR IMPLIED, AS TO THE SUITABILITY, DESIGN, MERCHANTABILITY, OR FITNESS OF THE PRODUCT FOR CUSTOMERS APPLICATION. The drawing and information provided remain the property and copyright of the manufacturer listed. The manufacturer reserves the right to modify specification without notice.

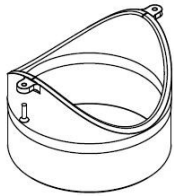
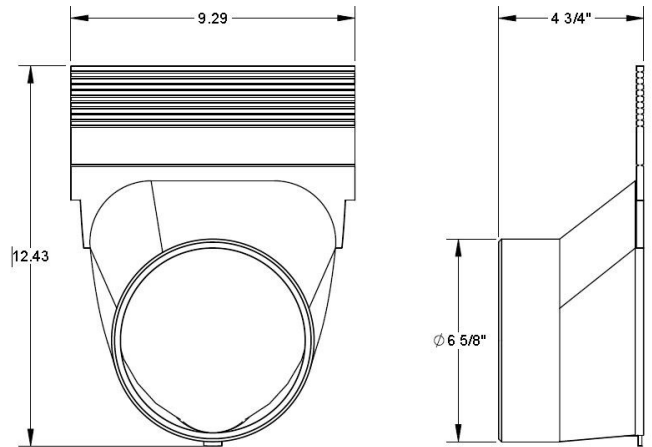
<p><b>Number</b> <b>200-EC / 200-OE6 / 200-OB6</b></p>	<p><b>Series</b> <b>CPS200</b> End Cap Set Pro Plus 200</p>
--	---



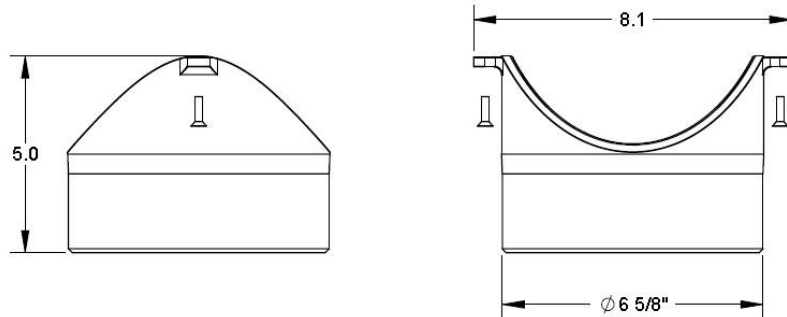
**200-EC Solid End Cap**




**200-OE6 Outlet End Cap**



**200-OB6 Bottom Outlet**



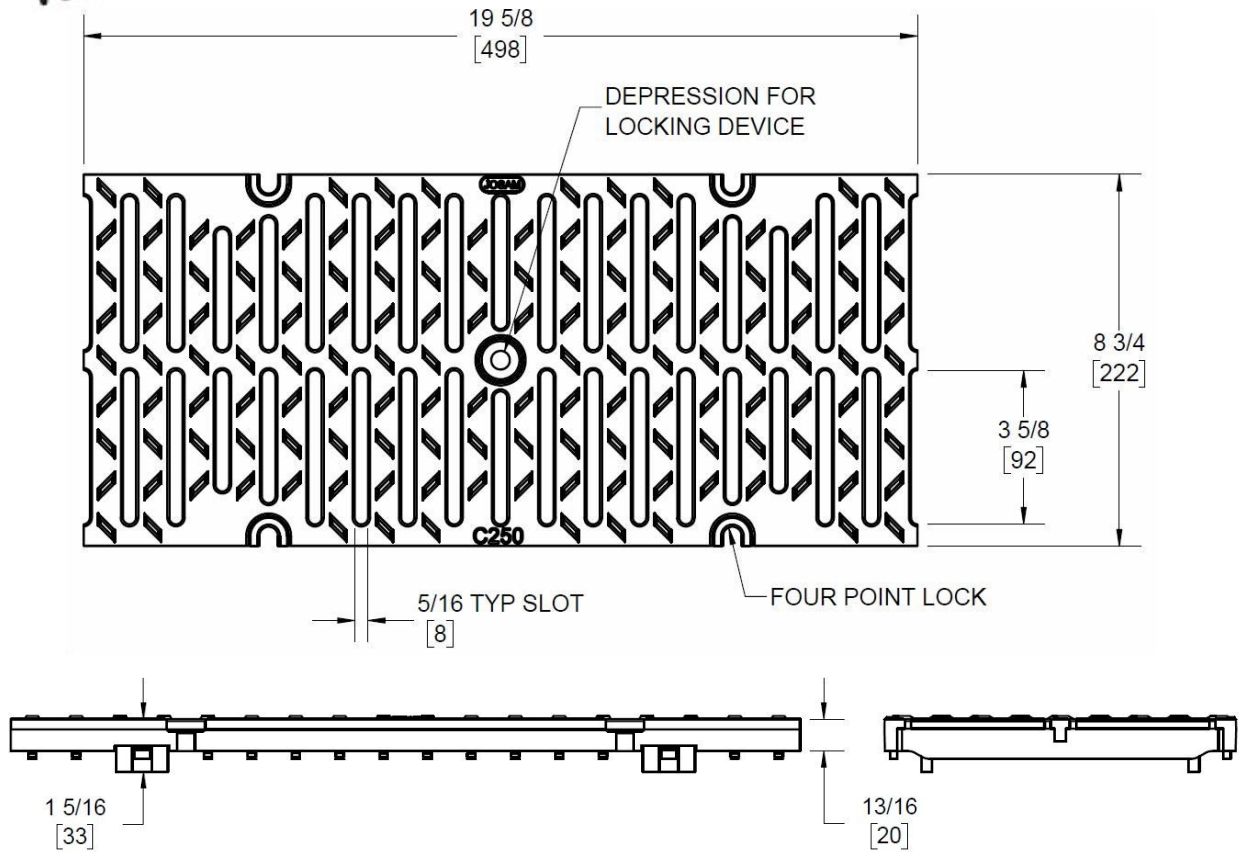
<p><b>Manufacturer</b></p> 	<p><b>Specification</b></p> <p>JOSAM END CAP SET FOR PRO-PLUS 200C 8" INTERNAL WIDTH TRENCH CHANNELS. MADE WITH PVC MATERIAL AND DESIGNED TO FIT SECURELY IN 200C CHANNELS AND OTHER 200C ACCESSORIES, SUPPLIED BY TRENCH DRAIN SUPPLY.</p>
--	---

DISCLAIMER - The customer and the customer's architects, engineers, consultants, and other professionals are completely responsible for the selection installation and maintenance of any product purchased from Trench Drain Supply and/or its manufacturers. TRENCH DRAIN SUPPLY MAKES NO WARRANTY, EXPRESS OR IMPLIED, AS TO THE SUITABILITY, DESIGN, MERCHANTABILITY, OR FITNESS OF THE PRODUCT FOR CUSTOMERS APPLICATION. The drawing and information provided remain the property and copyright of the manufacturer listed. The manufacturer reserves the right to modify specification without notice.

<p><b>Number</b></p> <p style="text-align: center;"><b>200-DIS-C</b></p>	<p><b>Series</b></p> <p style="text-align: center;"><b>CPS200</b></p> <p style="text-align: center;">C Class Ductile Iron Slotted Grate Pro Plus 200</p>
--	--



NOTE:  
FREE AREA IS 38 SQ. IN.  
PER 1/2 METER GRATE



LOCKING BAR (ORDER SEPERATELY)	360142
BOLT DOWN (ORDER SEPERATELY)	360143

**Manufacturer**



**Specification**

JOSAM 200-DIS-C EPOXY-COATED, DUCTILE IRON SLOTTED GRATE WITH CENTER HOLE FOR LOCKING BAR SECUREMENT AND FOUR POINT LOCK. MEETS CLASS C LOADING REQUIREMENTS. MEETS ADA SLOT REQUIREMENTS. SUPPLIED BY TRENCH DRAIN SUPPLY.

DISCLAIMER - The customer and the customer's architects, engineers, consultants, and other professionals are completely responsible for the selection installation and maintenance of any product purchased from Trench Drain Supply and/or its manufacturers. TRENCH DRAIN SUPPLY MAKES NO WARRANTY, EXPRESS OR IMPLIED, AS TO THE SUITABILITY, DESIGN, MERCHANTABILITY, OR FITNESS OF THE PRODUCT FOR CUSTOMERS APPLICATION. The drawing and information provided remain the property and copyright of the manufacturer listed. The manufacturer reserves the right to modify specification without notice.

1-877-903-7246

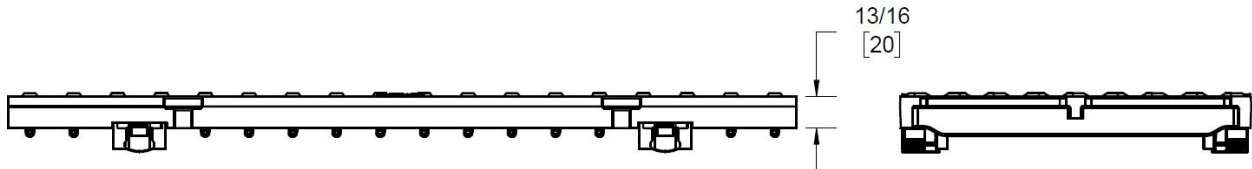
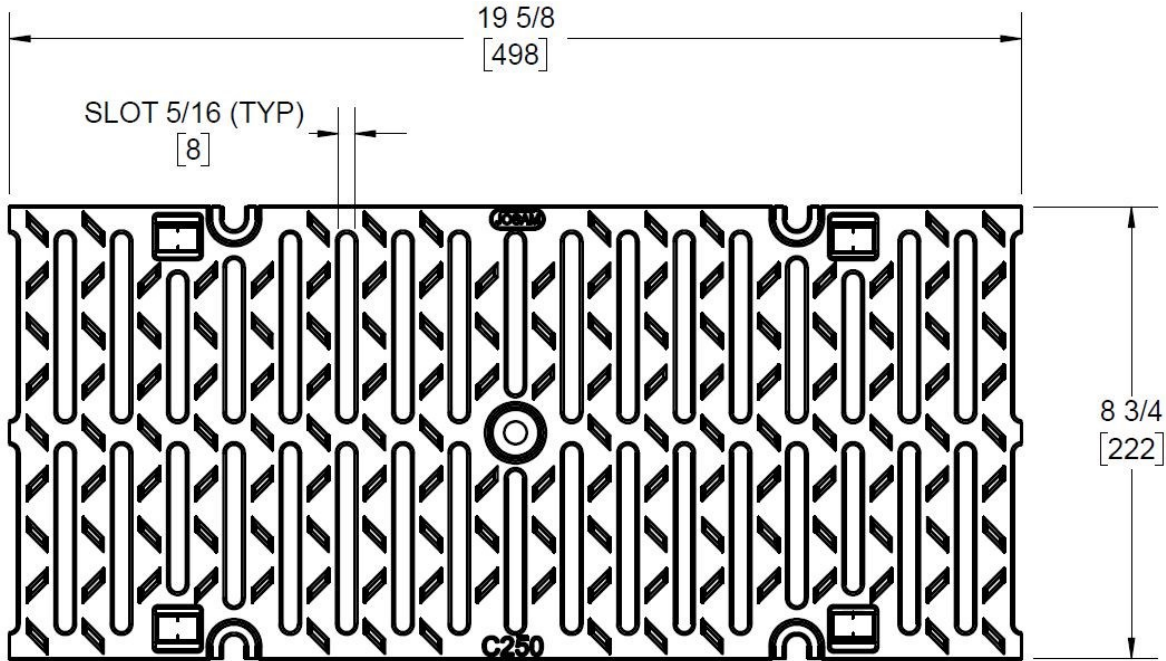


www.trenchdrainsupply.com

<p><b>Number</b></p> <p><b>200-DIS-C-PS</b></p>	<p><b>Series</b></p> <p><b>CPS200</b></p> <p>C Class Ductile Iron Slotted Grate</p> <p>Pro Plus 200</p>
---	---



NOTE:  
FREE AREA IS 38 SQ. IN.  
PER 1/2 METER GRATE



<p><b>Manufacturer</b></p>	<p><b>Specification</b></p> <p>JOSAM 200-DIS-C-PS EPOXY-COATED, DUCTILE IRON SLOTTED GRATE WITH PRO-SNAP™ SECUREMENT. MEETS CLASS C LOADING REQUIREMENTS. MEETS ADA SLOT REQUIREMENTS. SUPPLIED BY TRENCH DRAIN SUPPLY.</p>
----------------------------	---

DISCLAIMER - The customer and the customer's architects, engineers, consultants, and other professionals are completely responsible for the selection installation and maintenance of any product purchased from Trench Drain Supply and/or its manufacturers. TRENCH DRAIN SUPPLY MAKES NO WARRANTY, EXPRESS OR IMPLIED, AS TO THE SUITABILITY, DESIGN, MERCHANTABILITY, OR FITNESS OF THE PRODUCT FOR CUSTOMERS APPLICATION. The drawing and information provided remain the property and copyright of the manufacturer listed. The manufacturer reserves the right to modify specification without notice.

1-877-903-7246

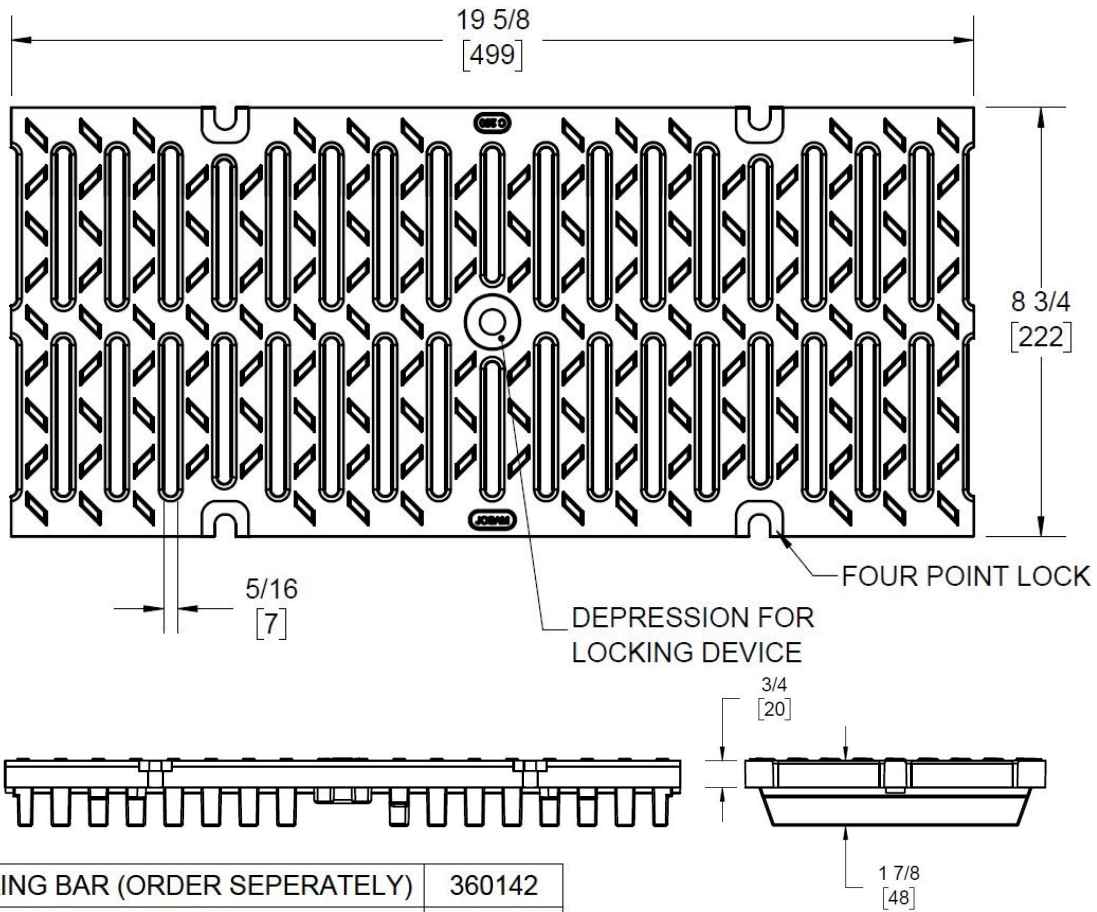


www.trenchdrainsupply.com

<p><b>Number</b></p> <p><b>200-GRP-C</b></p>	<p><b>Series</b></p> <p><b>CPS200</b></p> <p>C Class Glass Rein Poly Slotted Grate</p> <p>Pro Plus 200</p>
--	--



NOTE:  
FREE AREA IS 35 SQ. IN.  
PER 1/2 METER GRATE



**Manufacturer**



**Specification**

JOSAM 200-GRP-C SHEET MOLDED COMPOUND GLASS REINFORCED POLYESTER SLOTTED GRATE WITH CENTER HOLE FOR LOCKING BAR SECUREMENT OR BOLT DOWN LOCK. MEETS CLASS C LOADING REQUIREMENTS. MEETS ADA AND HEEL-PROOF. SUPPLIED BY TRENCH DRAIN SUPPLY.

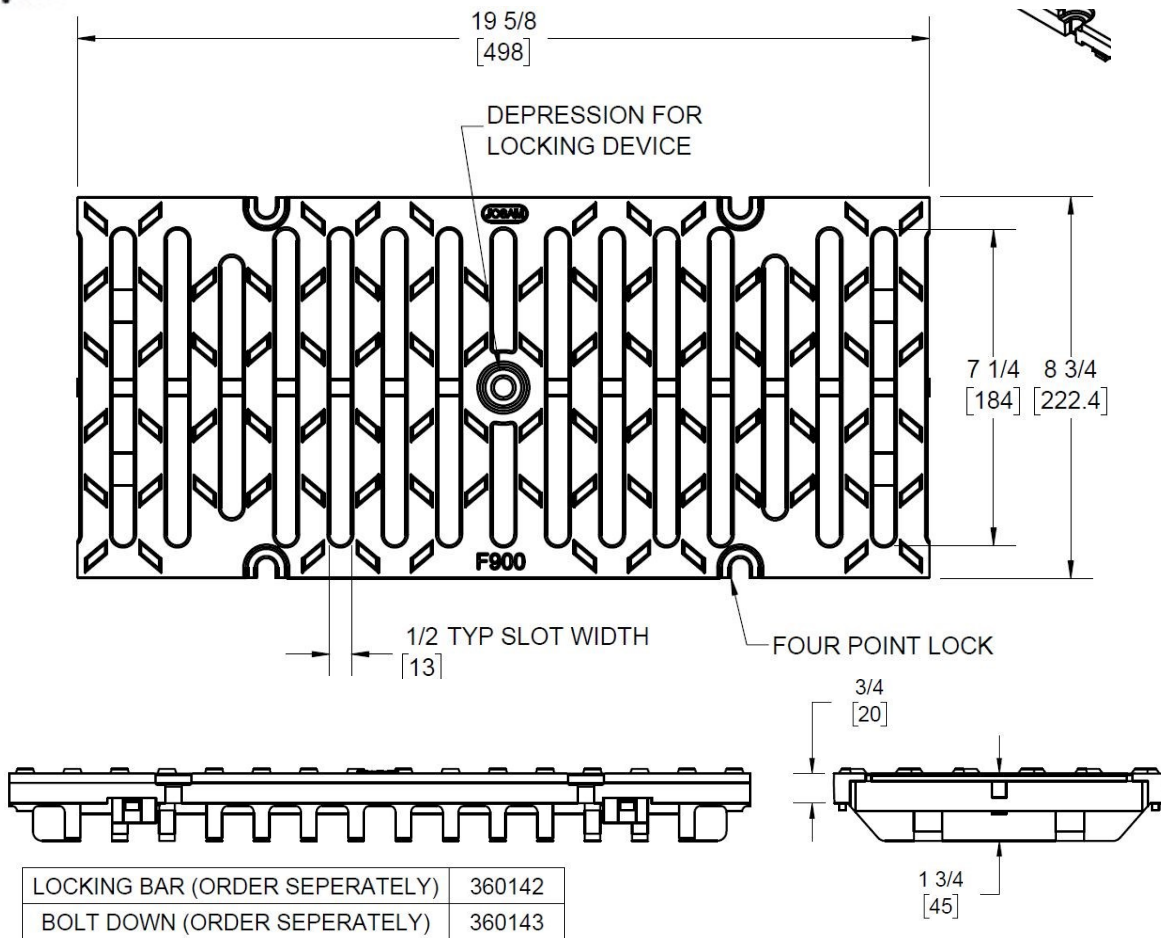
DISCLAIMER - The customer and the customer's architects, engineers, consultants, and other professionals are completely responsible for the selection installation and maintenance of any product purchased from Trench Drain Supply and/or its manufacturers. TRENCH DRAIN SUPPLY MAKES NO WARRANTY, EXPRESS OR IMPLIED, AS TO THE SUITABILITY, DESIGN, MERCHANTABILITY, OR FITNESS OF THE PRODUCT FOR CUSTOMERS APPLICATION. The drawing and information provided remain the property and copyright of the manufacturer listed. The manufacturer reserves the right to modify specification without notice.

<p><b>Number</b></p> <p style="text-align: center;"><b>200-DIS-F</b></p>	<p><b>Series</b></p> <p style="text-align: center;"><b>CPS200</b></p> <p style="text-align: center;">E/F Class Ductile Iron Slotted Grate Pro Plus 200</p>
--	--



E Class Standard  
F Class Requires 200-Rail

NOTE:  
FREE AREA IS 38 SQ. IN.  
PER 1/2 METER GRATE



**Manufacturer**



**Specification**

JOSAM 200-DIS-F EPOXY-COATED, DUCTILE IRON SLOTTED GRATE WITH CENTER HOLE FOR LOCKING BAR SECUREMENT AND BOLT DOWN LOCK. MEETS CLASS F LOADING REQUIREMENTS (WITH 200-RAIL). MEETS ADA SLOT REQUIREMENTS. SUPPLIED BY TRENCH DRAIN SUPPLY.

DISCLAIMER - The customer and the customer's architects, engineers, consultants, and other professionals are completely responsible for the selection installation and maintenance of any product purchased from Trench Drain Supply and/or its manufacturers. TRENCH DRAIN SUPPLY MAKES NO WARRANTY, EXPRESS OR IMPLIED, AS TO THE SUITABILITY, DESIGN, MERCHANTABILITY, OR FITNESS OF THE PRODUCT FOR CUSTOMERS APPLICATION. The drawing and information provided remain the property and copyright of the manufacturer listed. The manufacturer reserves the right to modify specification without notice.

1-877-903-7246



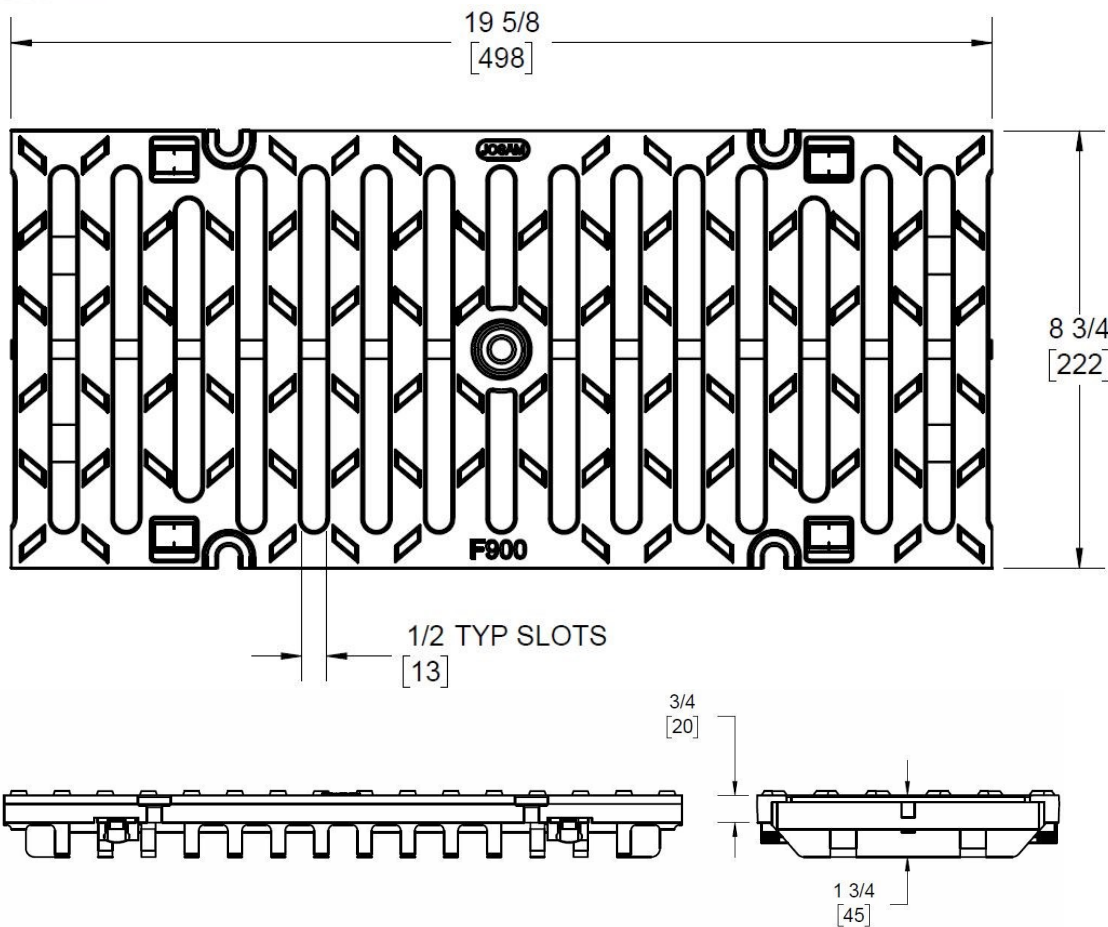
www.trenchdrainsupply.com

<p><b>Number</b></p> <p><b>200-DIS-F-PS</b></p>	<p><b>Series</b></p> <p><b>CPS200</b></p> <p>E/F Class Ductile Iron Slotted Grate</p> <p>Pro Plus 200</p>
---	---



E Class Standard  
F Class Requires 200-Rail

NOTE:  
FREE AREA IS 38 SQ. IN.  
PER 1/2 METER GRATE

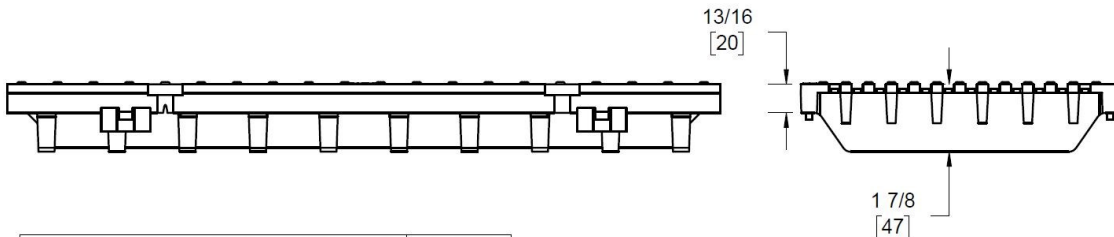
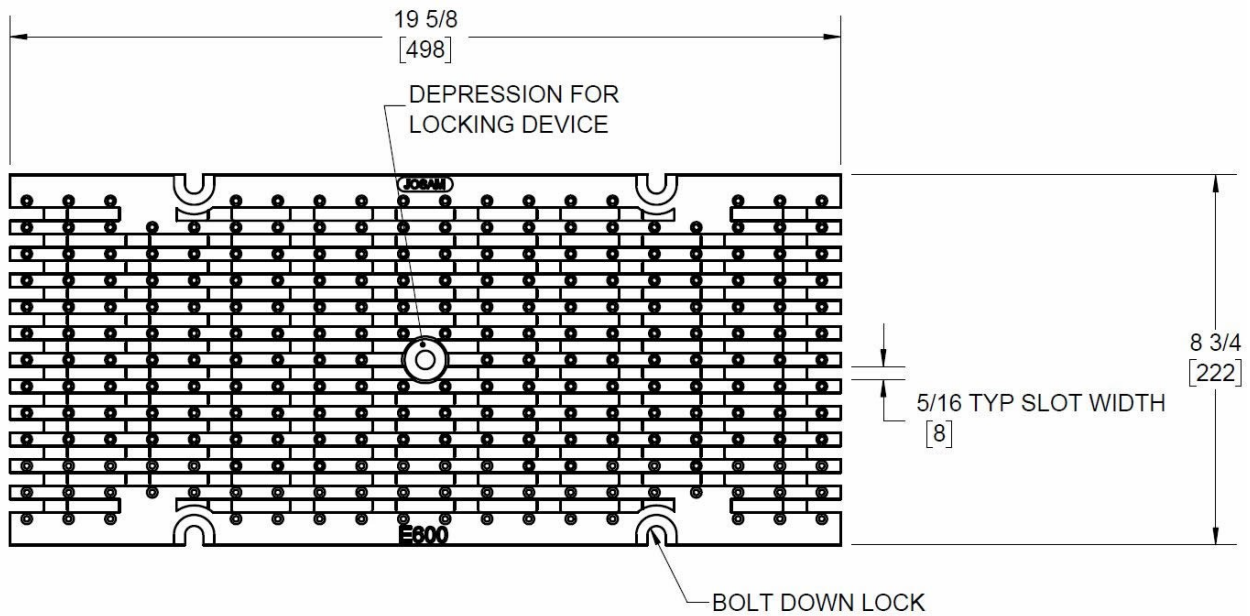


<p><b>Manufacturer</b></p>	<p><b>Specification</b></p> <p>JOSAM 200-DIS-F-PS EPOXY-COATED, DUCTILE IRON SLOTTED GRATE WITH PRO-SNAP™ SECUREMENT. DESIGNED TO FIT PRO-PLUS™ 200 SIZE CHANNEL. MEETS CLASS F LOADING REQUIREMENTS (WITH 200-RAIL). MEETS ADA SLOT REQUIREMENTS. SUPPLIED BY TRENCH DRAIN SUPPLY.</p>
----------------------------	---

DISCLAIMER - The customer and the customer's architects, engineers, consultants, and other professionals are completely responsible for the selection installation and maintenance of any product purchased from Trench Drain Supply and/or its manufacturers. TRENCH DRAIN SUPPLY MAKES NO WARRANTY, EXPRESS OR IMPLIED, AS TO THE SUITABILITY, DESIGN, MERCHANTABILITY, OR FITNESS OF THE PRODUCT FOR CUSTOMERS APPLICATION. The drawing and information provided remain the property and copyright of the manufacturer listed. The manufacturer reserves the right to modify specification without notice.



<p><b>Number</b></p> <p><b>200-DIL-E-DC</b></p>	<p><b>Series</b></p> <p><b>CPS200</b></p> <p>E Class DI Longitudinal Slotted Grate</p> <p>Pro Plus 200</p>
---	--



LOCKING BAR (ORDER SEPERATELY)	360142
BOLT DOWN (ORDER SEPERATELY)	360143

**Manufacturer**



**Specification**

JOSAM 200-DIL-E-C EPOXY-COATED, DUCTILE IRON SLOTTED GRATE WITH CENTER HOLE FOR LOCKING BAR SECUREMENT AND BOLT DOWN LOCK. SIZE CHANNEL. MEETS CLASS E LOADING REQUIREMENTS. MEETS ADA AND HEELPROOF SLOT REQUIREMENTS., SUPPLIED BY TRENCH DRAIN SUPPLY.

DISCLAIMER - The customer and the customer's architects, engineers, consultants, and other professionals are completely responsible for the selection installation and maintenance of any product purchased from Trench Drain Supply and/or its manufacturers. TRENCH DRAIN SUPPLY MAKES NO WARRANTY, EXPRESS OR IMPLIED, AS TO THE SUITABILITY, DESIGN, MERCHANTABILITY, OR FITNESS OF THE PRODUCT FOR CUSTOMERS APPLICATION. The drawing and information provided remain the property and copyright of the manufacturer listed. The manufacturer reserves the right to modify specification without notice.